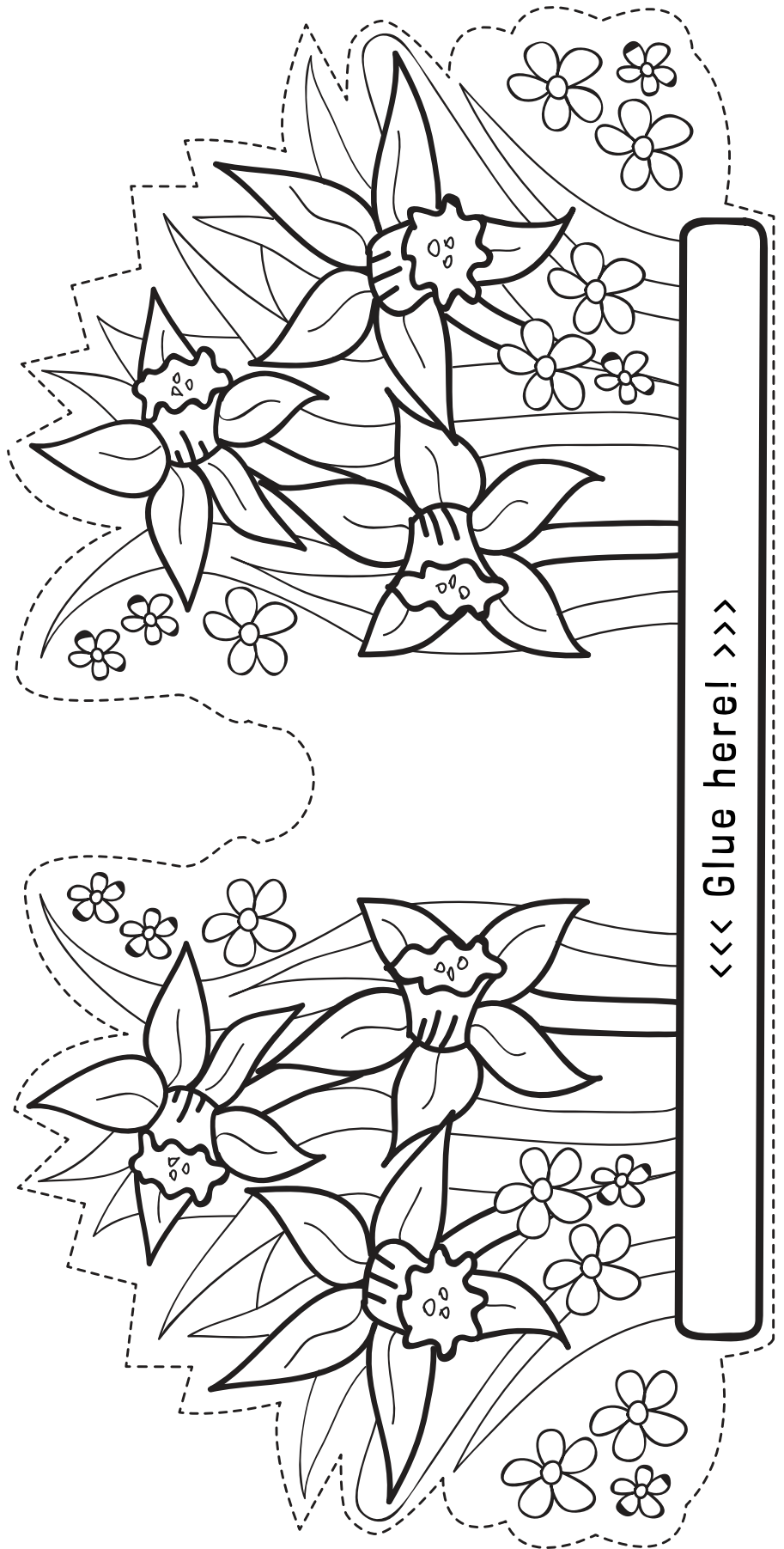
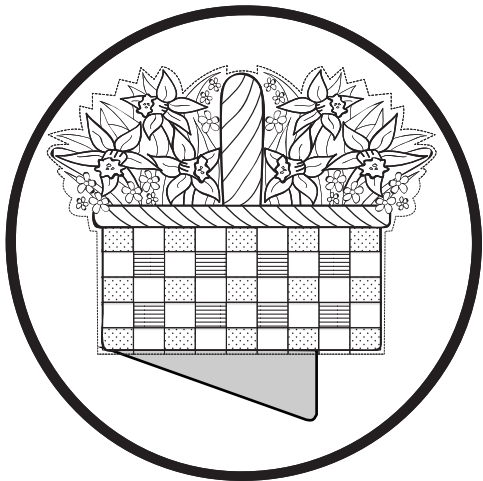


# Instructions

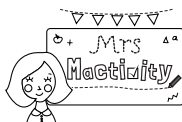
- 1 Colour in all of the flowers!
- 2 Cut along all the dotted lines
- 3 Weave in and out of your cut strips on the basket. Get creative – cut strips of coloured paper, card, or even glitter card!
- 4 Glue the tab on the back flap of the card, fold and stick to basket
- 5 Glue the tab on the flowers and stick to back of basket rim



This is what it looks like!

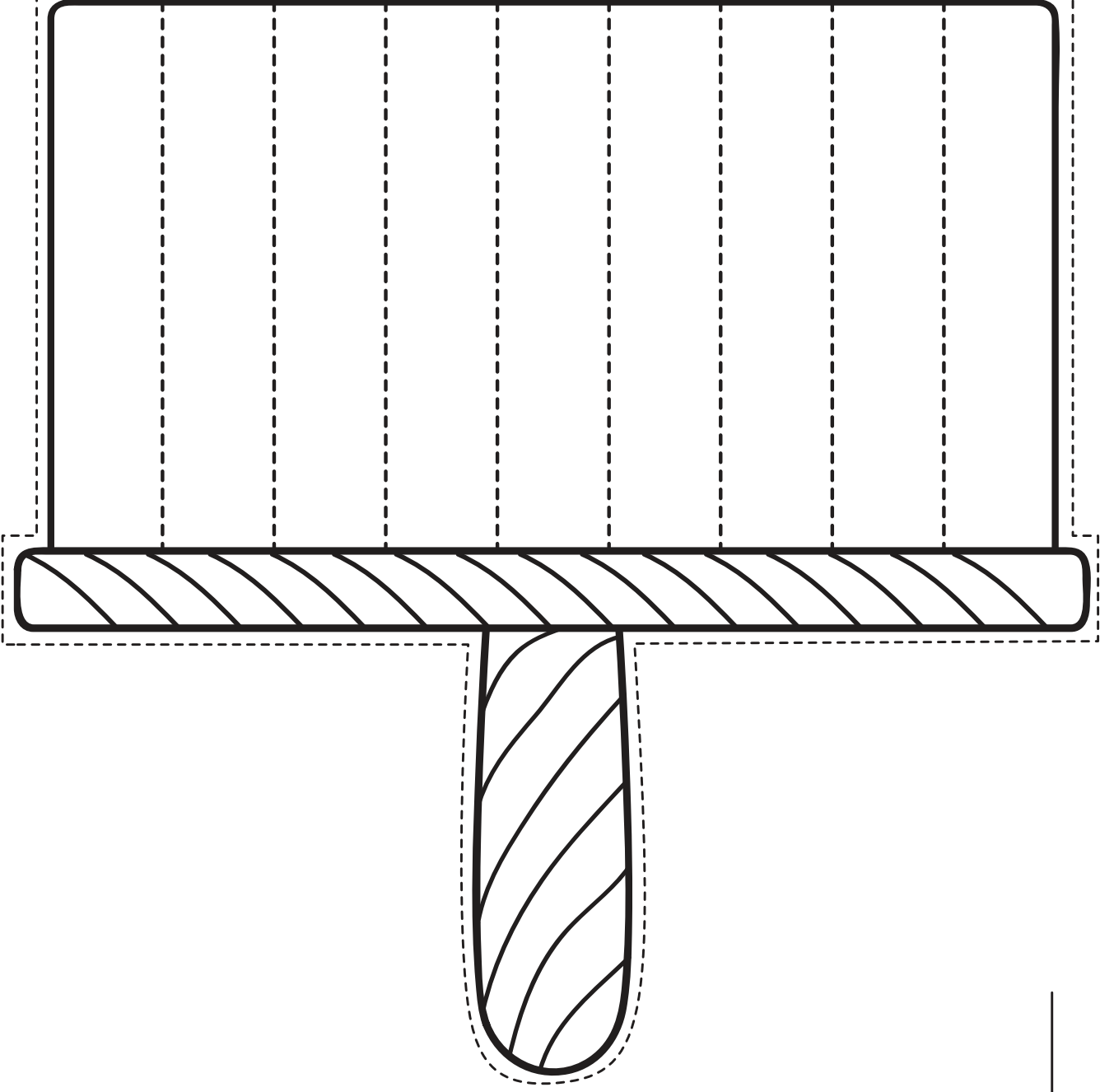


A collaboration between



RED TED  
Art

2018 ©



**Basket**

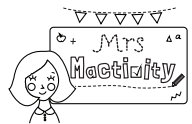
4

**Fold here**



**Card Flap**

A collaboration between



[www.mrsactivity.co.uk](http://www.mrsactivity.co.uk)



2018 ©

**RED TED**  
Art

[www.redtedart.com](http://www.redtedart.com)